

Service Manual

Compact Disc Changer

SL-MC6

Simplified

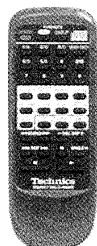
**COMPACT
disc
DIGITAL AUDIO**
TEXT

MASH*
multi-stage noise shaping

* MASH is a trademark of NTT.

Colour

(K) Black Type



Area

Suffix for Model No.	Area	Colour
(E)	Europe	(K)
(EB)	Great Britain	
(EG)	Germany & Italy	

TRAVERSE DECK : RAE0152Z-M Mechanism Series

Please file and use this Service Manual together with the Service Manual for Model No. SL-MC410 (P, PC) Order No. MD9706050C1 and SL-MC 410 (E, EB, EG, GC, GN) Order No. MD9707066A8

Note : This Simplified Service Manual is provided to indicate the main difference between the original Model No. SL-MC410 (P, PC)(E, EB, EG) and the subsequent Model No. SL-MC6 (E, EB, EG).

■ Specifications

■ AUDIO

No. of channels	2 (left and right, stereo)
Frequency response	2 - 20,000 Hz, ± 1 dB
Output voltage	2 V (at 0 dB)
Dynamic range	92 dB
S/N	100 dB
Harmonic distortion	0.007% (1kHz, 0 dB)
Wow and flutter	Below measurable limit
DA converter	MASH (1 bit)
Output impedance	Approx. 1 k Ω
Load impedance	More than 10 k Ω

■ PICKUP

Wavelength	780 nm
------------	--------

■ General

Power supply [E, EG]	AC 230 V, 50 Hz
[EB]	AC 230 - 240 V, 50 Hz
Power consumption	14 W
Dimensions (W x H x D)	430 x 171 x 392 mm
Weight	7.1 kg

Notes :

Specifications are subject to changes without notice.
Weight and dimensions are approximate.

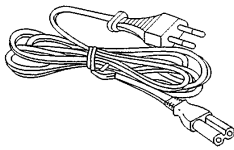
⚠ WARNING

This service information is designed for experienced repair technicians only and is not designed for use by the general public. It does not contain warnings or cautions to advise non-technical individuals of potential dangers in attempting to service a product. Products powered by electricity should be serviced or repaired only by experienced professional technicians. Any attempt to service or repair the product or products dealt with in this service information by anyone else could result in serious injury or death.

Technics®

© 1998 Matsushita Electronics (S) Pte. Ltd.
All rights reserved. Unauthorized copying and distribution is a violation of law.

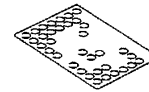
■ Accessories



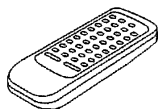
AC power supply cord 1pc.
(RJA0019-2K) for others
(RJA0053-1K) for United Kingdom



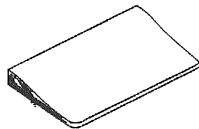
Stereo connection cable
(RJL2P004B08) 1pc.



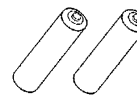
Numbered stickers (RQLA0326) 1pc.



Remote control transmitter
(EUR645270) 1pc.



Notebook-like binder (RFA0623-K1) 1pc.



Batteries 1pc.

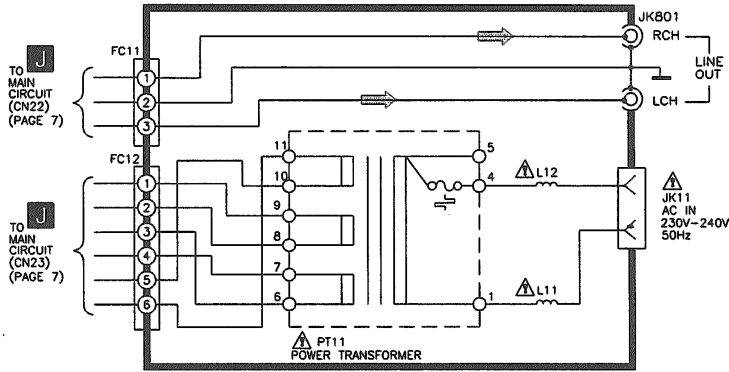
● PRECAUTIONS for BLUE LED

Attention Service Centres : Below are some precautions that should be taken when handling the BLUE LED.

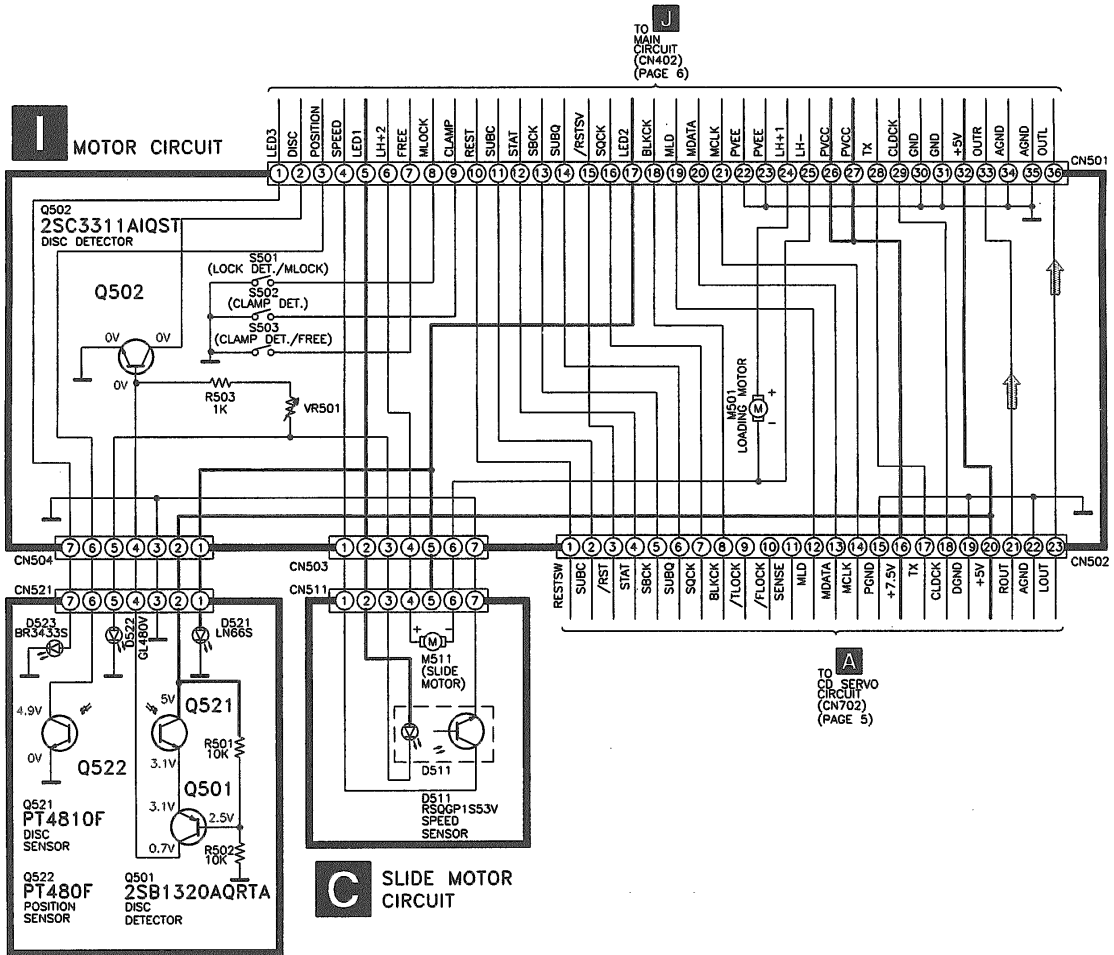
1. Repair stations must not have any plastic materials or containers near the set under repair / service.
2. Earth Band must be worn at all times during repair / service.
3. At all times , do not touch LED leads or conductive paths connected to the LED.
4. To maintain the brightness and colour evenness of the pair of LEDs of the MC6, replacing BLUE LEDs must be done in pairs, i.e. D620 & D621, repair kits should be ordered instead of single parts.
5. When possible service / repair station should have Ion blow installed and directed at the PCB with the LED.
6. All other standard anti static precautions must be taken.

Schematic Diagram

L POWER SUPPLY CIRCUIT
(P.C.Board on page 13)



I MOTOR CIRCUIT

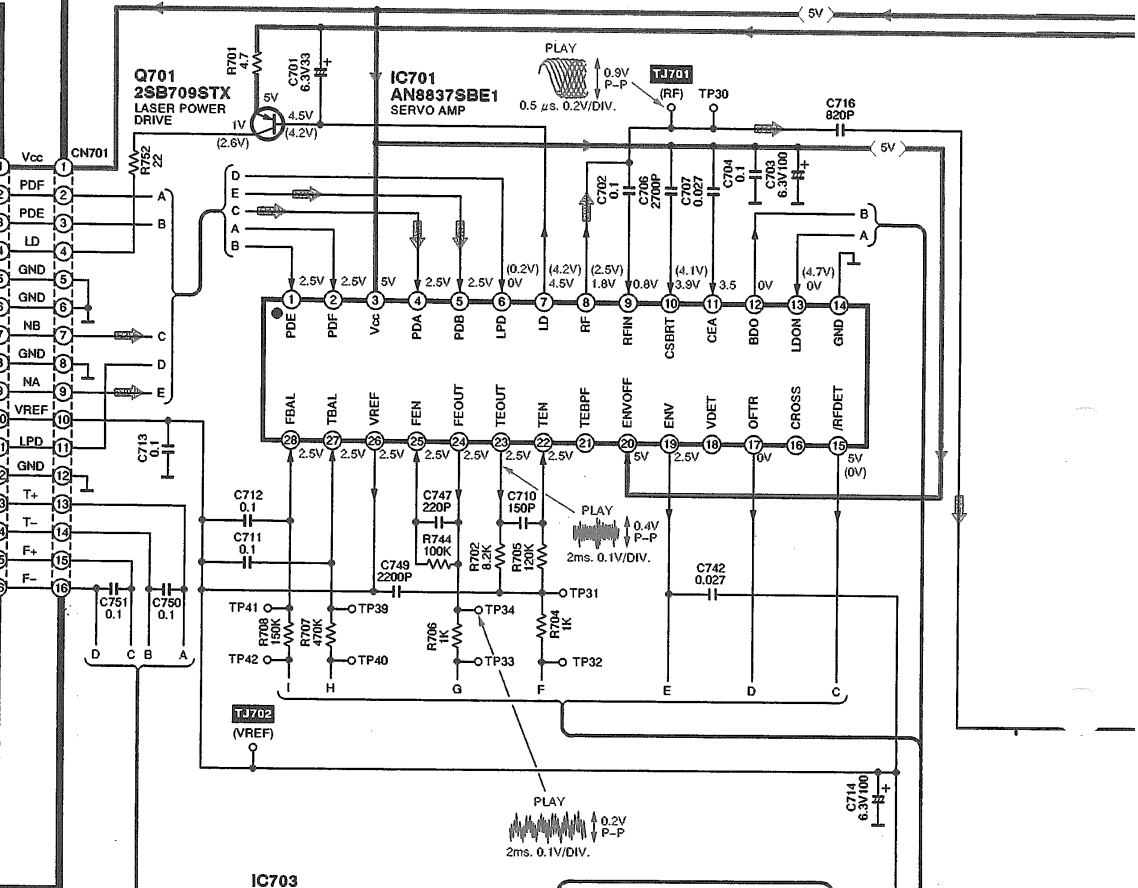
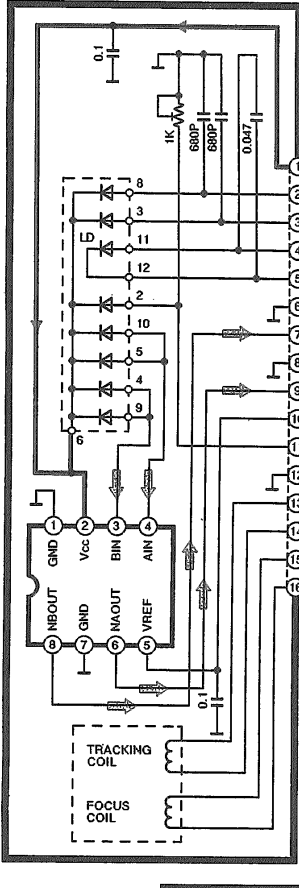


C SLIDE MOTOR CIRCUIT

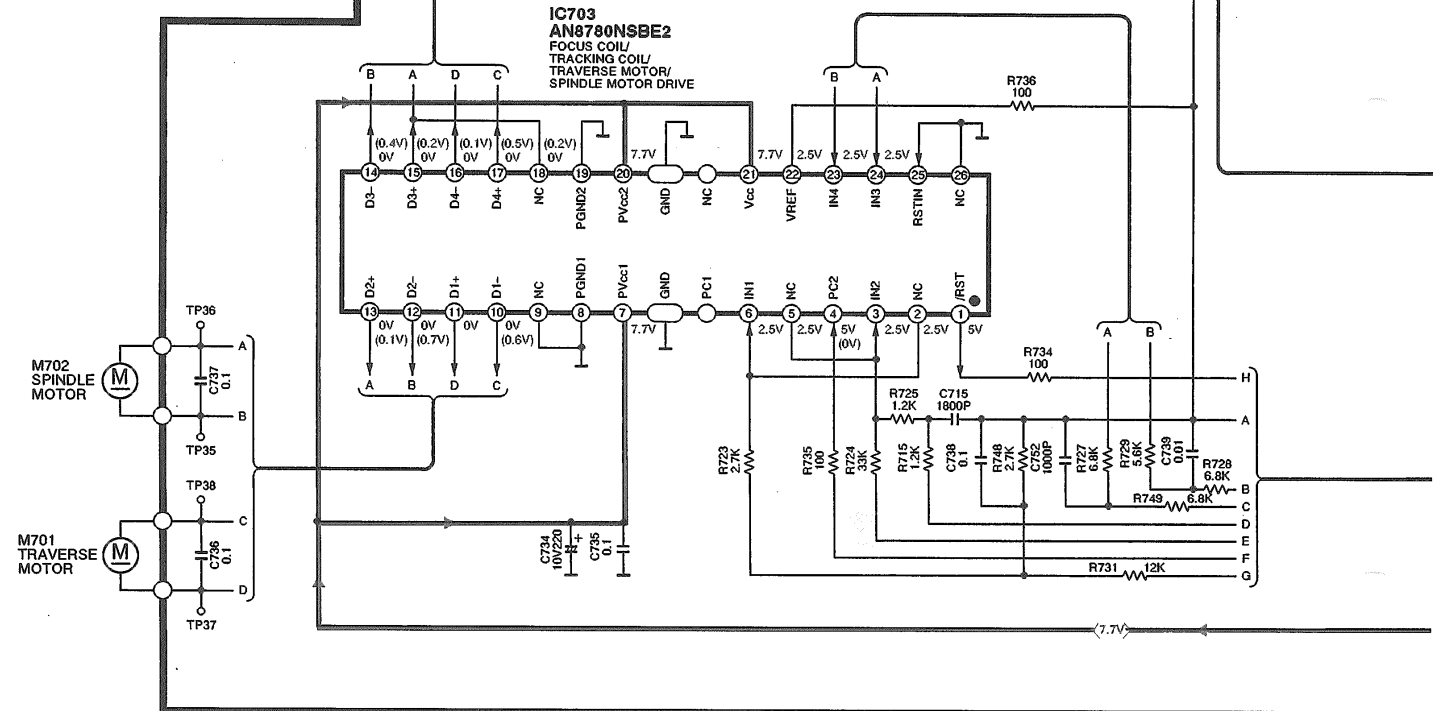
D PHOTO TR.(1) CIRCUIT

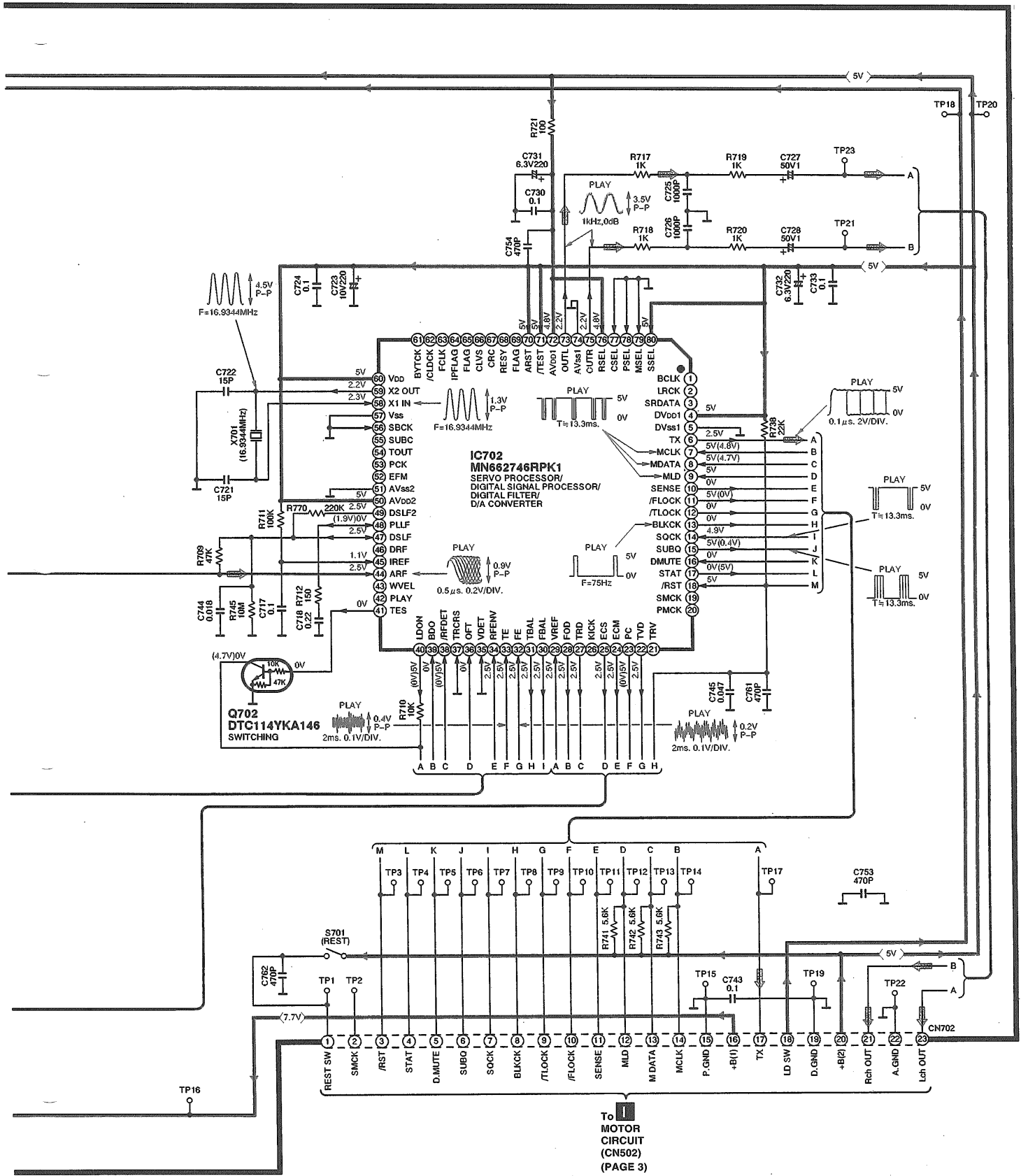
A CD SERVO CIRCUIT (P.C.Board on page 15)

△ OPTICAL PICKUP CIRCUIT

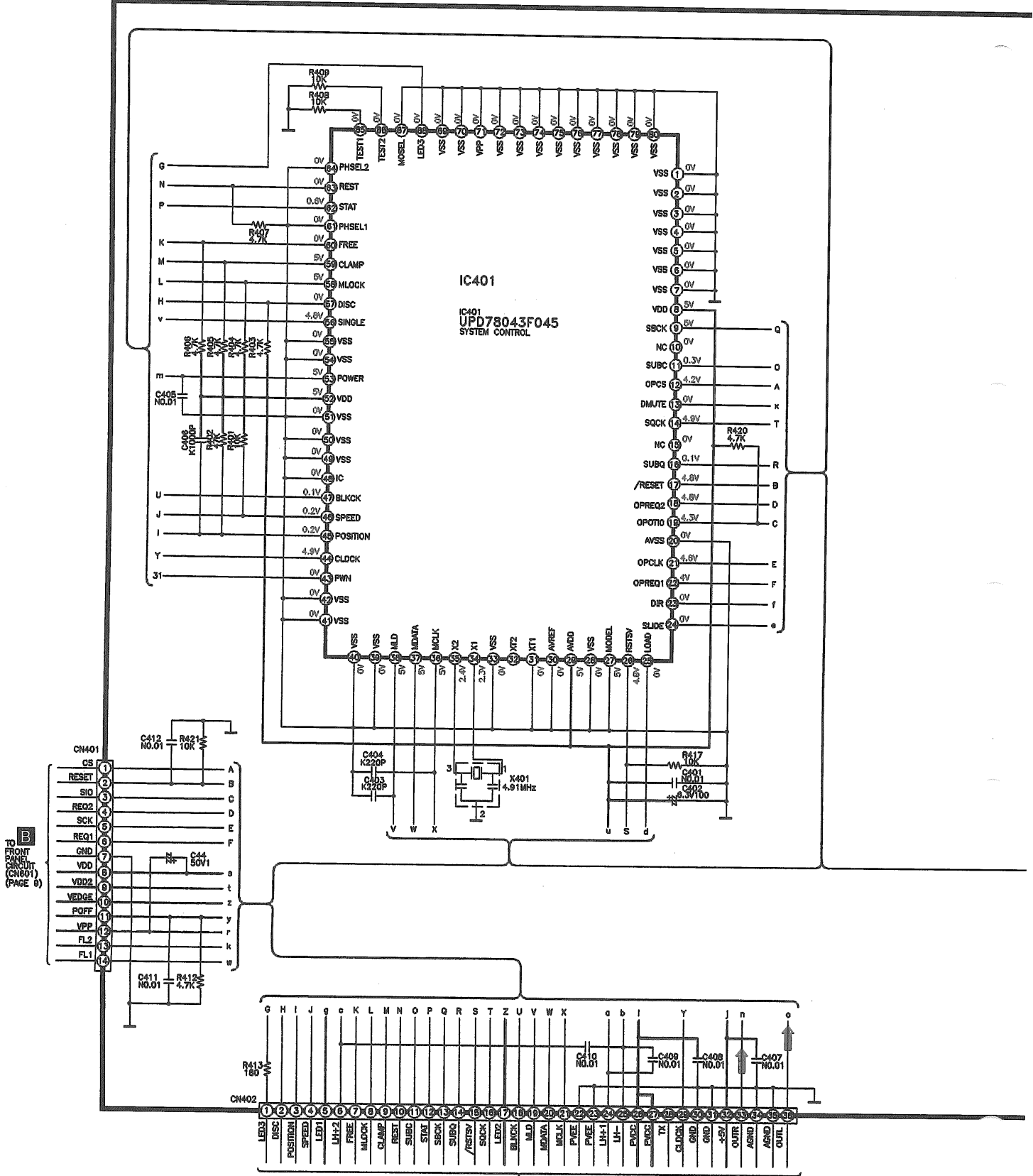


IC703
AN8780NSBE2
FOCUS COIL/
TRACKING COIL/
TRAVERSE MOTOR/
SPINDLE MOTOR DRIVE





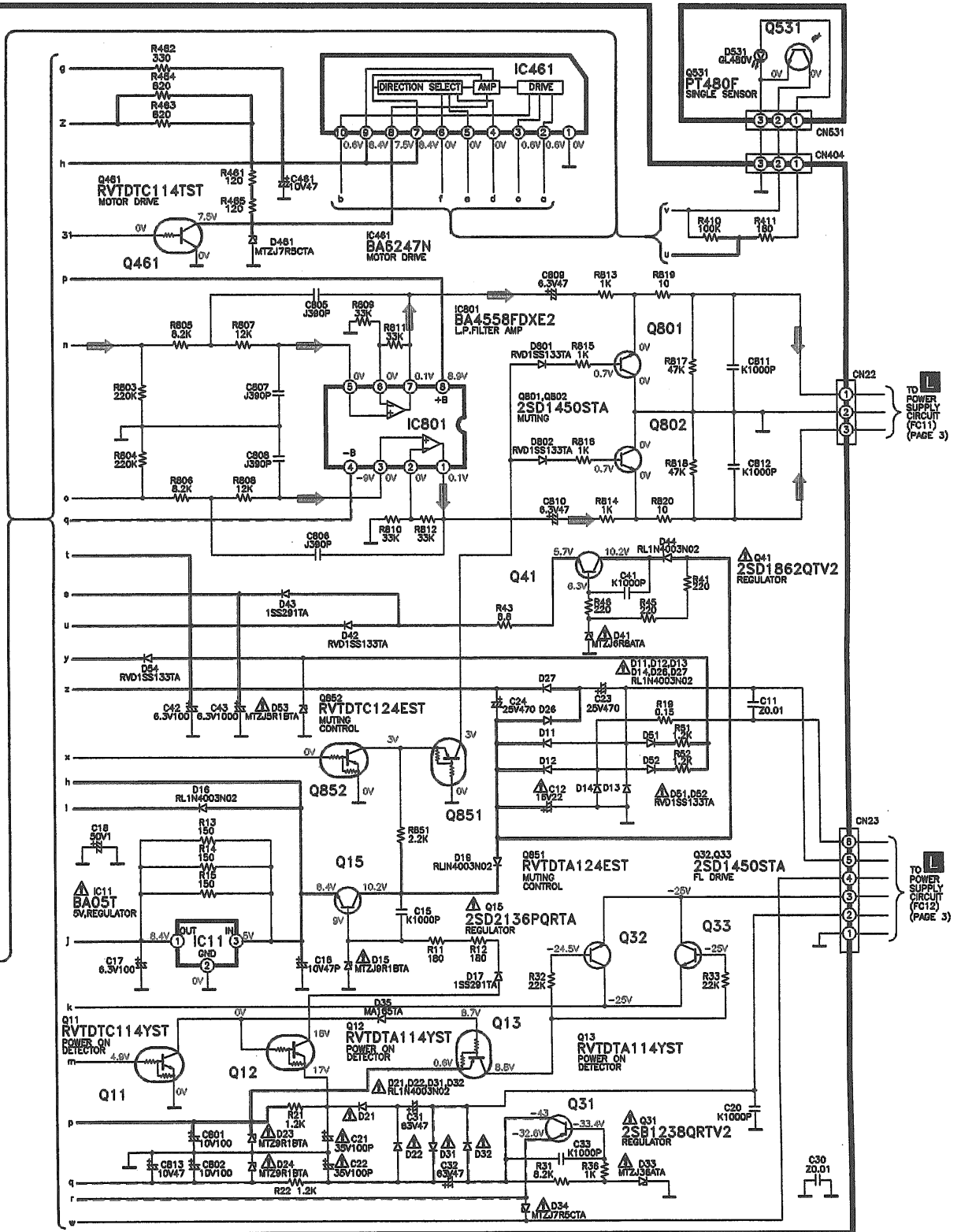
J MAIN CIRCUIT (P.C.Board on page 12)



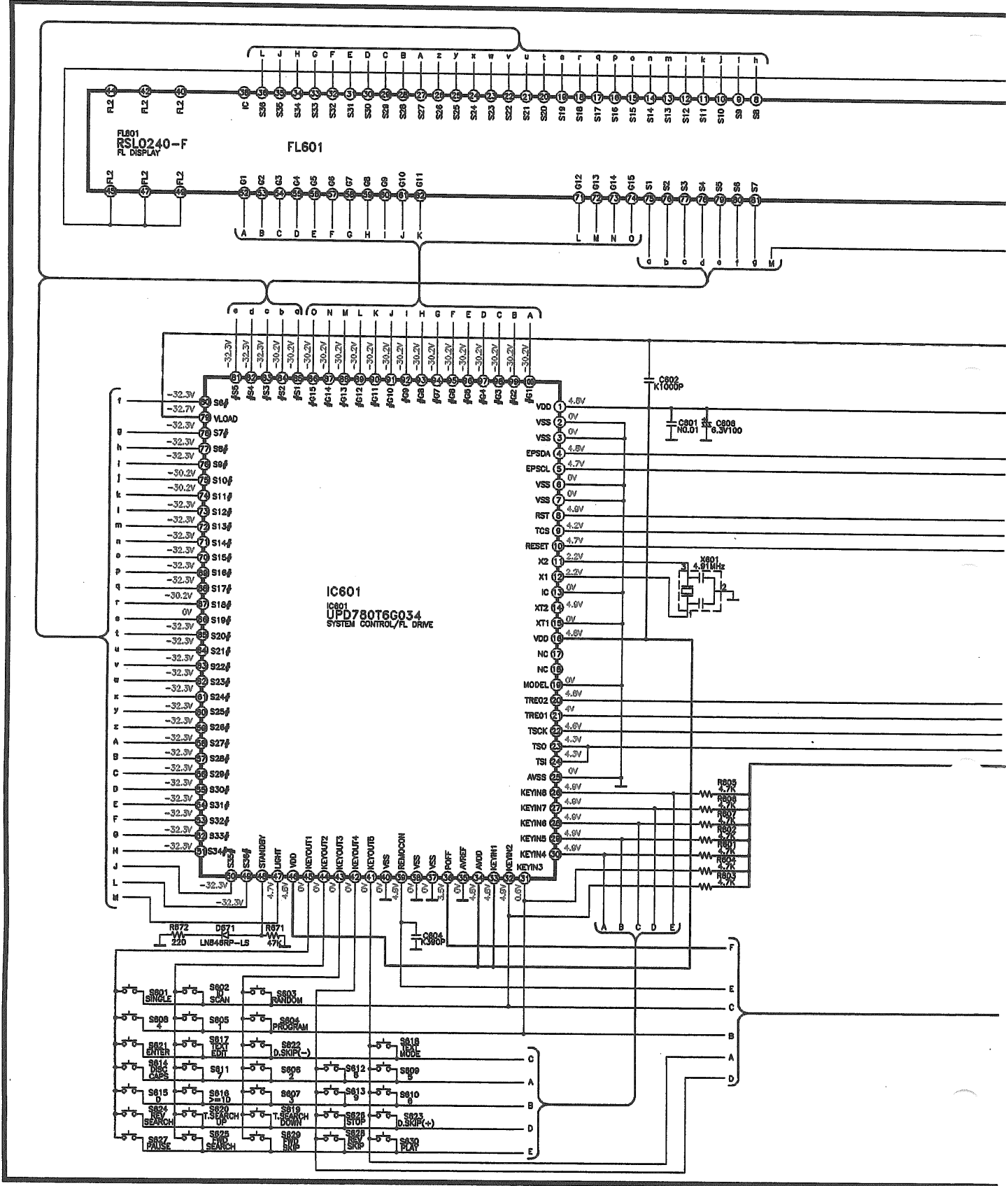
TO FRONT PANEL CIRCUIT (PAGE 8)

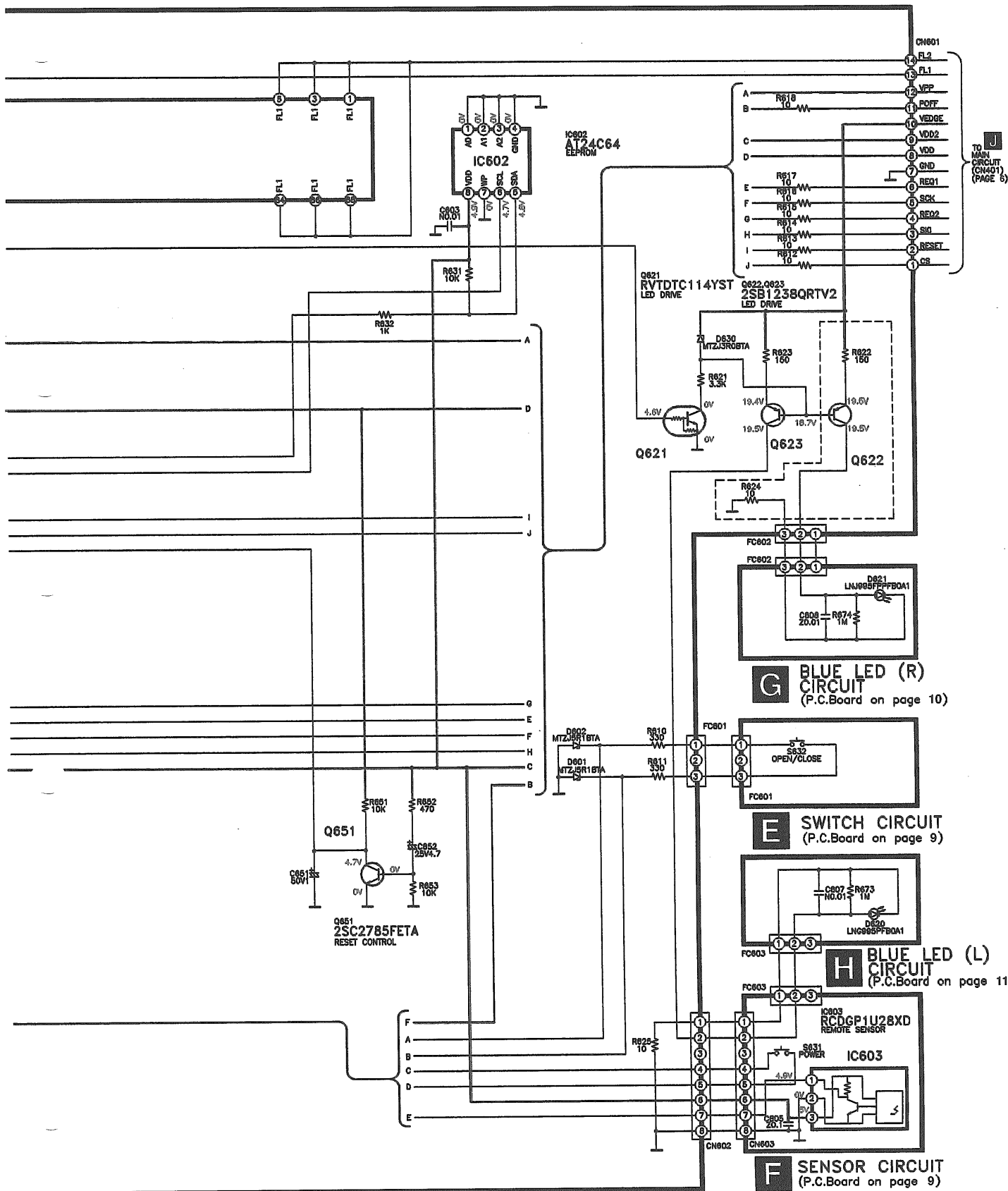
TO MOTOR CIRCUIT (PAGE 3)

K PHOTO TR.(2)
CIRCUIT



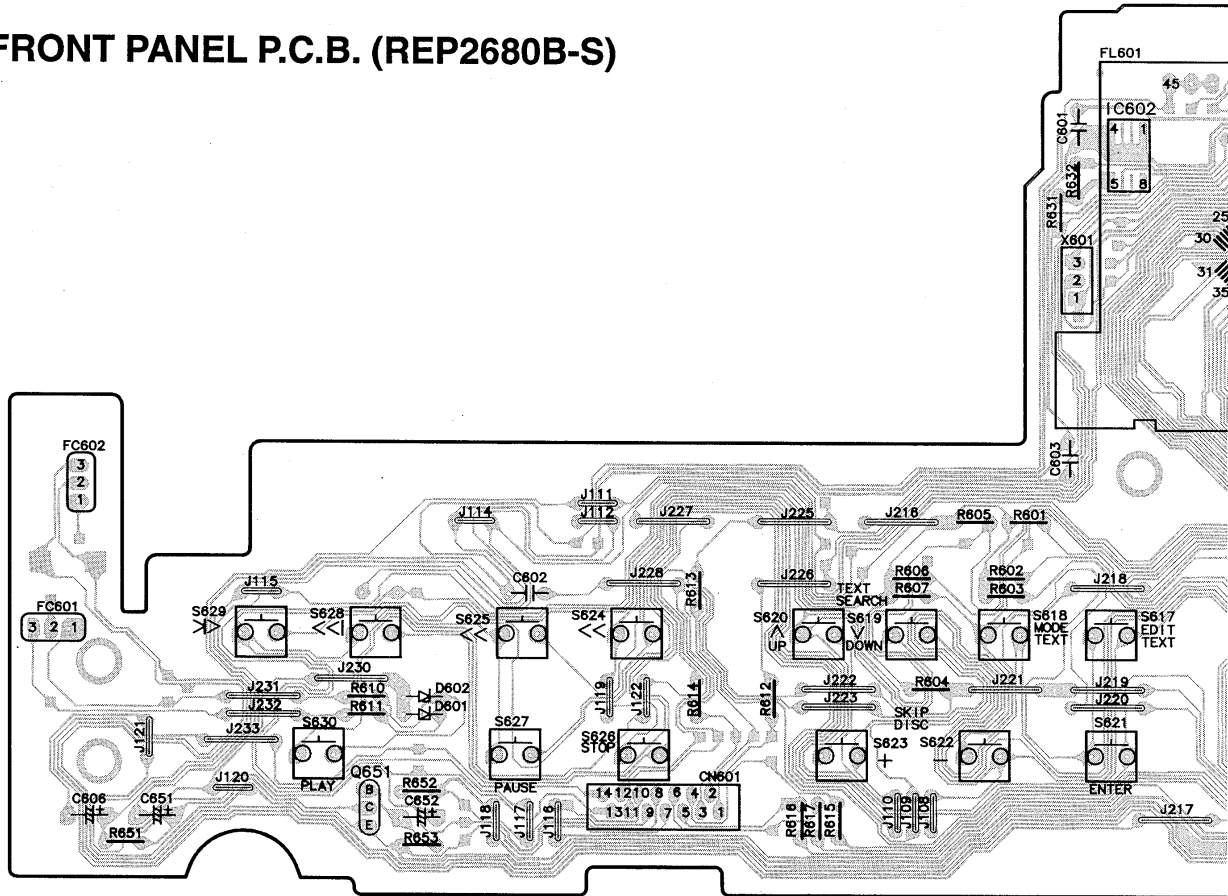
B FRONT PANEL CIRCUIT (P.C.Board on page 10)



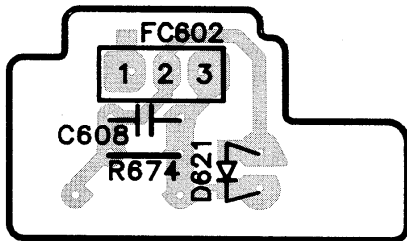


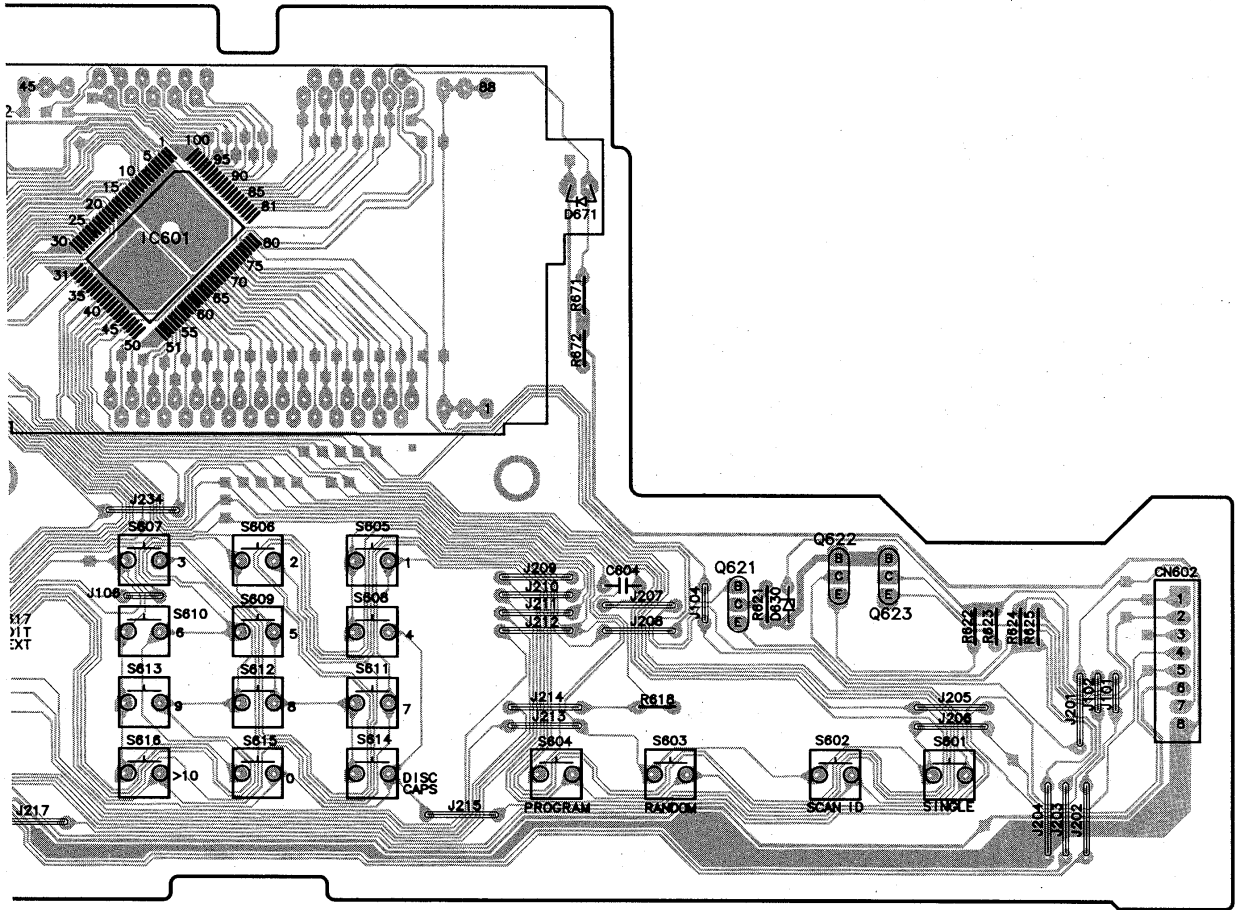
■ Printed Circuit Board

B FRONT PANEL P.C.B. (REP2680B-S)

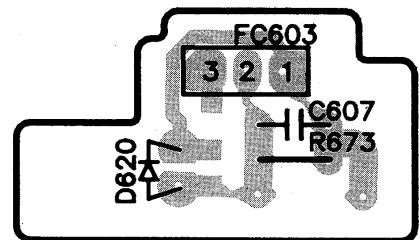


G BLUE LED (Right) P.C.B. (REP2680B-S)

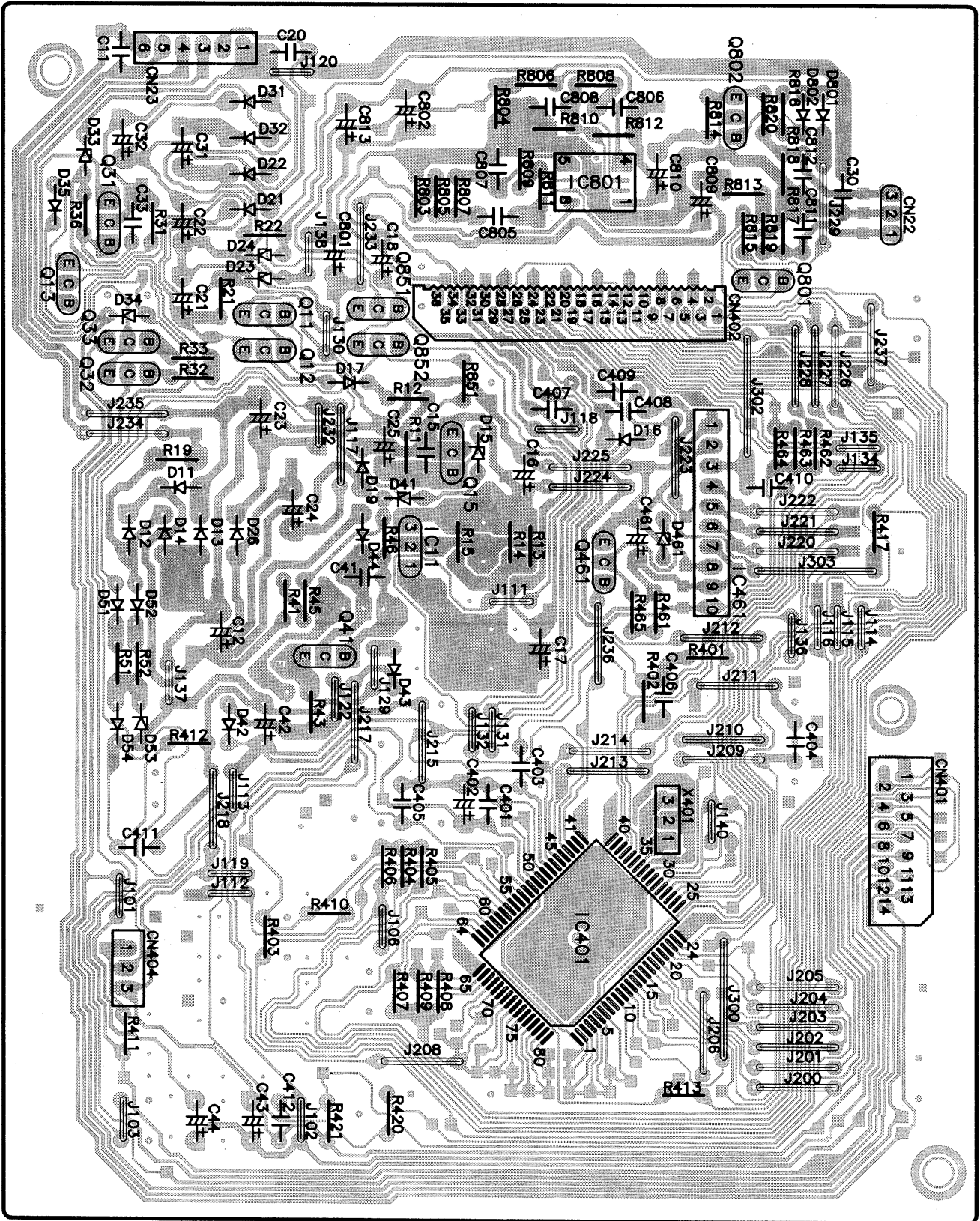




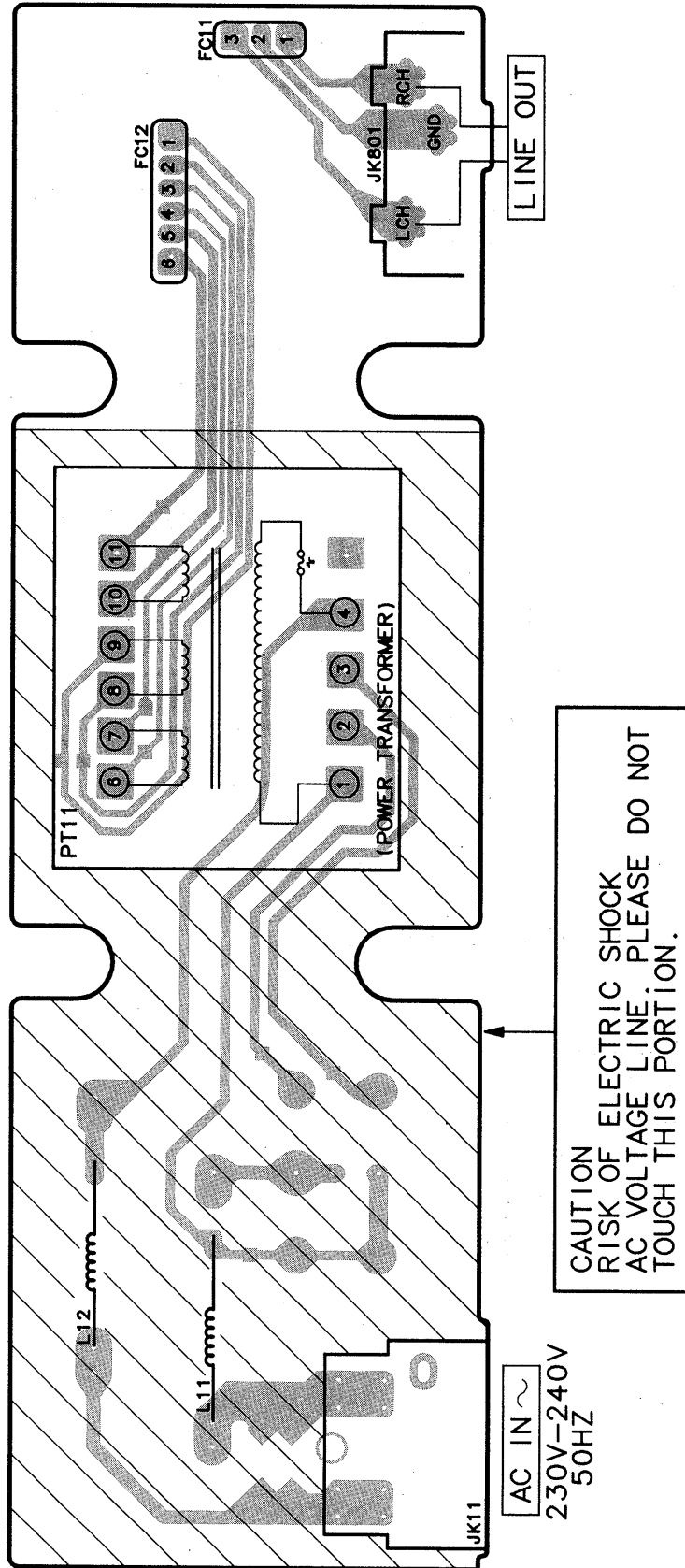
H BLUE LED (Left) P.C.B.
(REP2680B-S)



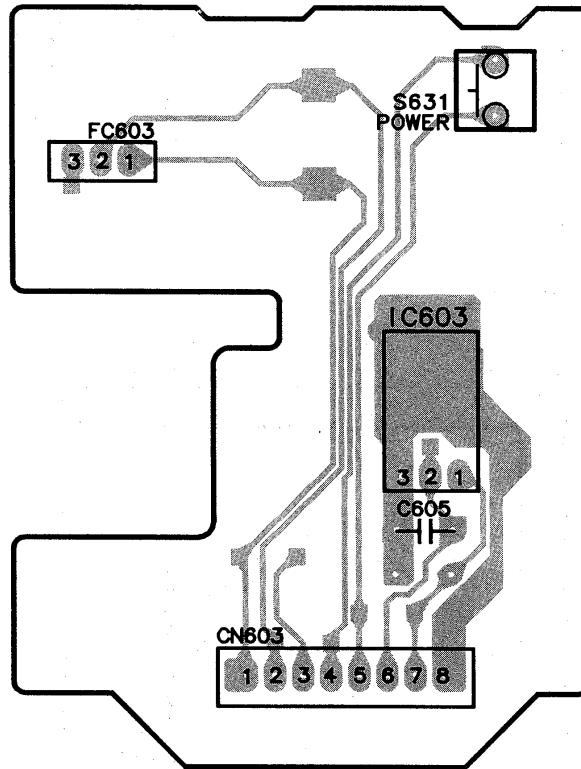
J MAIN P.C.B. (REP2491G-M)



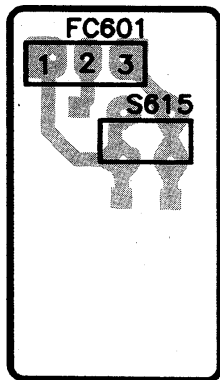
L POWER SUPPLY P.C.B. (REP2218F-P)



F SENSOR P.C.B. (REP2680B-S)



E SWITCH P.C.B. (REP2680B-S)

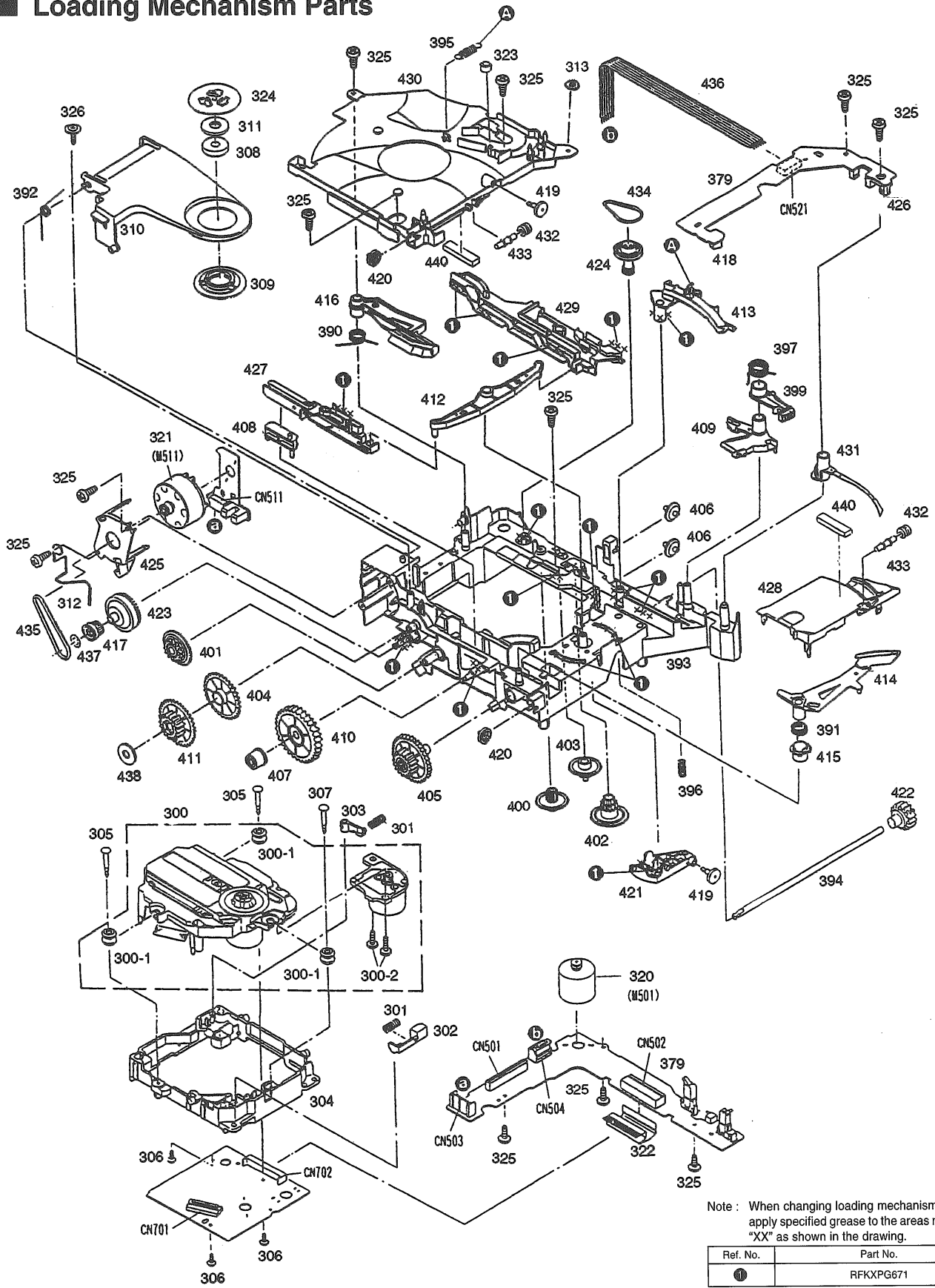


■ Loading Mechanism Parts List

Notes : [M] in Remarks column indicates parts supplied by MESA.

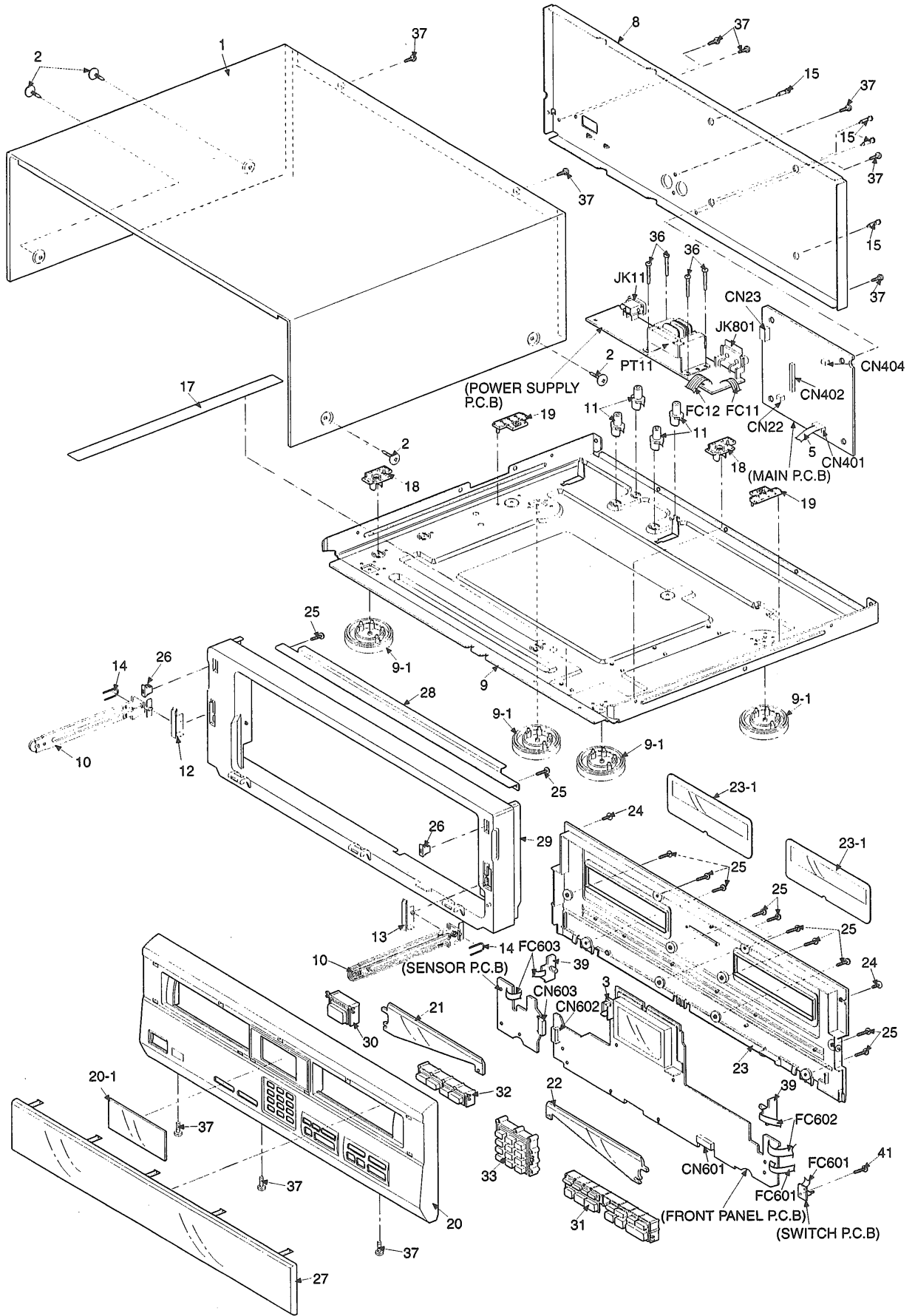
Ref No.	Part No.	Part Name & Description	Remarks	Ref No.	Part No.	Part Name & Description	Remarks	Ref No.	Part No.	Part Name & Description	Remarks
		TRAVERSE DECK									
				347	RML0419	SHUTTER LEVER LEFT	[M]	403	RDG0338	SPEED DOWN GEAR B	[M]
				348	RMR0935-K	INSIDE SHUTTER (51)	[M]	404	RDG0344	MIDDLE SHIFT GEAR	[M]
300	RAE0152Z-M	TRAVERSE	[M]	349	RMR0936-K	OUTSIDE SHUTTER (51)	[M]	405	RDG0346	FORWARD SHIFT GEAR	[M]
300-1	SHGD113-1	FLOATING CUSHION	[M]	350	RMR0932-K	SHUTTER SUPPORT	[M]	406	RDP0081	BOTTOM SHIFT GEAR	[M]
300-2	SNSD38	TRV MOTOR ASSY SCREW	[M]	351	RMR0947-K	SHUTTER SUPPORT RIGHT	[M]	407	RDP0080	TOP SHIFT GEAR	[M]
301	RMB0455	FRONT/BACK ARM SPRING	[M]	352	RMR0948-H	STOCKER SEPARATOR PL	[M]	408	RMR0923	SLIDE SUPORT PLATE	[M]
302	RML0423	FRONT ARM	[M]	353	XTB3+6F	SCREW	[M]	409	RML0414	GUIDE LEVER	[M]
303	RML0424-1	BACK ARM	[M]	354	RFKNLMC50PEK	E. PUSH LEVER ASSY	[M]	410	RDG0345	MIDDLE SHIFT GEAR B	[M]
304	RMR0937-K	TRV CHASSIS	[M]	355	RMC0291	E. CLICK SPRING	[M]	411	RDG0343	REAR SHIFT GEAR	[M]
305	RMS0123-1	FIXED PIN B	[M]	356	RME0203	E. SLIDE SPRING G	[M]	412	RML0411	JOINT LEVER	[M]
306	XTN2+6G	PCB SCREW	[M]	357	RME0204	E LEVER SPRING	[M]	413	RML0415	REVERSE FOOD LEVER	[M]
307	RMS0350	FIXED PIN A	[M]	358	RML0438	E RELAY LEVER	[M]	414	RML0417	RETURN LEVER A	[M]
308	RMQ0653	MAGNET	[M]	359	RML0439	E SLIDE PLATE	[M]	415	RML0418	RETURN LEVER B	[M]
309	RMR0624-W	CLAMPER	[M]	360	RMR0938-K	EJECT BASE	[M]	416	RML0416	8 CD LEVER	[M]
310	RMR0926-K1	CLAMP PLATE	[M]	361	RMR0939-K	E COVER	[M]	417	RDP0340	SHIFT PULLEY GEAR	[M]
311	RMA1003	BACK YOKE	[M]	362	RMR0940-K	E LEVER	[M]	418	RMN0358	LED HOLDER	[M]
312	RME0225	SPRING	[M]	363	RMR0941-H	E BUTTON	[M]	419	RDP0082	ROPE ROLLER A	[M]
313	RHW52002	WASHER	[M]	364	RMR0943-H	E SUPPORT LEVER	[M]	420	RDP0083	ROPE ROLLER B	[M]
320	RFKPLMC50PAK	LOADING MOTOR ASS'Y	[M]	365	RMR0958-K	E GUIDE	[M]	421	RMR0927	ROLLER BASE	[M]
321	RFKNLMC50PBK	SLIDE MOTOR ASS'Y	[M]	366	RMR0964-K	E. SUPPORT A	[M]	422	RDG0347	BOTTOM SHIFT ROLLER	[M]
322	REZ0916	23P FFC	[M]	367	RMR0965-K	E SUPPORT B	[M]	423	RDG0341	COUNT RING	[M]
323	RMG0200	RUBBER TUBE	[M]	368	SFYB5-32	E CLICK BALL	[M]	424	RDG0336	PULLEY GEAR	[M]
324	RMR0334	FIXED PLATE	[M]	369	XTN2+6JFZ	EJECTOR BK SCREW	[M]	425	RMN0356	MOTOR HOLDER	[M]
325	XTBS26+10J	SCREW	[M]	370	RMB0454	GUARD ROPE SPRING	[M]	426	RMN0399	SENSOR HOLDER	[M]
326	XTWS3+10Q	SCREW	[M]	371	RML0420	SHUTTER LEVER (R)	[M]	427	RMR0922	TOP SLIDE PLATE	[M]
327	RDG0333	FRONT LOCK GEAR	[M]	372	RMA1006	SHUTTER LEVER PLATE	[M]	428	RML0924	DISC GUIDE L	[M]
328	RDG0334	BACK LOCK GEAR	[M]	373	RFKNLMC400PA	DISC STOCKER C	[M]	429	RMR0921	BOTTOM SLIDE PLATE	[M]
329	RDG0374	BOTTOM LOCK GEAR	[M]	374	RFKNLMC400PB	DISC STOCKER D	[M]	430	RML0925	DISC GUIDE R	[M]
330	RMA0904	SIDE PLATE L	[M]	375	RHD20047-K	M2 SCREW	[M]	431	RML0412	FORWARD LEVER	[M]
331	RMA0905	SIDE PLATE	[M]	376	RMA0995	STOPPER	[M]	432	RDP0091-2	DISC ROLLER	[M]
332	RMA0914	TOP RAIL (51)	[M]	377	RMC0316	BALANCE SPRING	[M]	433	RDP0092-1	ROLLER GUIDE	[M]
333	RMA0915	BOTTOM RAIL (51)	[M]	378	XTB3+7F	SCREW	[M]	434	RDV0041	BELT (LOADING)	[M]
334	RMA0916	BACK SUPPORT PLATE (51)	[M]	379	RFKBMC410PK	P.C.B ASS'Y	[M]	435	RDV0046	BELT (SHIFT)	[M]
335	RMB0469	LOCK ARM SPRING	[M]	390	RME0195	8 CD SPRING	[M]	436	REZ0832	7P FLAT CABLE	[M]
336	RML0421	STAY LOCK ARM	[M]	391	RME0196	REVERSE LEVER SPRING	[M]	437	RHW21009	WASHER	[M]
337	RML0436	FRONT LOCK PLATE	[M]	392	RME0197	CLAMP SPRING	[M]	438	RHW42002	STOPPER WASHER	[M]
338	RML0437	REAR LOCK PLATE	[M]	393	RFKPLMC50PBK	MECHANISM BASE ASS'Y	[M]	440	RMF0237-1	FELT	[M]
339	RMR0959-K	ROPE GUIDE	[M]	394	RMS0519	JOINT SHAFT	[M]				
340	RMW0010	GUARD ROPE (51)	[M]	395	RMB0453	FORWARD LEVER SPRING	[M]				
341	RDG0183-L	DAMPER GEAR	[M]	396	RMB0483	RELEASE LOCK SPRING	[M]				
342	RMN0388	SENSOR HOLDER	[M]	397	RME0194	SUB LEVER SPRING	[M]				
343	RFKNLMC50PCK	DISC STOCKER (A)	[M]	399	RML0413	FEED SUPPORT LEVER	[M]				
344	RFKNLMC50PDK	DISC STOCKER (B)	[M]	400	RDG0337	SPEED DOWN GEAR A	[M]				
345	RMA0912	FRONT STICKER BASE (51)	[M]	401	RDG0342	SHIFT SPEED DOWN GEAR	[M]				
346	RMA0913	BACK STICKER BASE (51)	[M]	402	RDG0339	DRIVE GEAR	[M]				

■ Loading Mechanism Parts



Note : When changing loading mechanism parts, apply specified grease to the areas marked "XX" as shown in the drawing.

Ref. No.	Part No.
1	RFKXPG671



■ Replacement Parts List

Notes: * Important safety notice :
 Components identified by \triangle mark have special characteristics important for safety.
 Furthermore, special parts which have purposes of fire-retardant (resistors), high-quality sound (capacitors), low-noise (resistors), etc. are used.
 When replacing any of components, be sure to use only manufacturer's specified parts shown in the parts list.
 * The parenthesized in the Remarks columns specify the areas. (Refer to the cover page for area.)
 Parts without these indication can be used for all areas.
 * Warning : This product uses a laser diode. Refer to caution statement on page 2.
 * [M] in Remarks column indicates parts that are supplied by MESA.
 * Please refer to Precaution for BLUE LED for item marked with " ** ".

Ref No.	Part No.	Part Name & Description	Remarks	Ref No.	Part No.	Part Name & Description	Remarks	Ref No.	Part No.	Part Name & Description	Remarks
		CABINET AND CHASSIS		35	XTB3+10FFZ	SCREW	[M]	Q651	2SC2785FETA	TRANSISTOR	[M]
				36	XTB3+20JFZ	SCREW	[M]	Q701	2SA1037AKSTX	TRANSISTOR	[M]
1	RKM0336-K	CABINET ACCESSORY	[M]	37	XTBS3+8JFZ1	SCREW	[M]	Q702	DTC114YKA146	TRANSISTOR	[M]
2	SNE2129-3	SCREW	[M]	39	RFKBLMC6P-K	BLUE LED PCB ASS'Y	[M]	Q801	2SD1450STA	TRANSISTOR	[M]
3	RMN0443	FL HOLDER	[M]	40	SHRD163	CORD HOLDER	[M]	Q802	2SD1450STA	TRANSISTOR	[M]
5	REE0867	20P FFC	[M]	41	XTBS26+8J	SCREW	[M] **	Q851	RVTDTA124EST	TRANSISTOR	[M]
6	REZ0988	36P FFC	[M]					Q852	RVTDTA124EST	TRANSISTOR	[M]
7	REZ0905-2	3P FFC	[M]			INTEGRATED CIRCUITS					
8	RGR0247A-QA	REAR PANEL	[M]E							DIODES	
8	RGR0247A-RA	REAR PANEL	[M]E B EG	IC11	BA05T	IC, 5V REGULATOR	[M] \triangle				
9	RFKJLMC70P-K	BOTTOM CHASSIS ASS'Y	[M]	IC401	UPD78043F045	IC, MICRO COMPUTER	[M]	D11	RL1N4003N02	DIODE	[M] \triangle
9-1	RKA0079-A	FOOT	[M]	IC461	BA6247N	IC	[M]	D12	RL1N4003N02	DIODE	[M] \triangle
10	RKJ0016	SIDE STAY	[M]	IC601	UPD780T6G034	IC, MICRO COMPUTER	[M]	D13	RL1N4003N02	DIODE	[M] \triangle
11	RKQ0089-J	PCB HOLDER	[M]	IC602	AT24C64	IC, EEPROM	[M]	D14	RL1N4003N02	DIODE	[M] \triangle
12	RKQ0193-K	SIDE GRILL (L)	[M]	IC603	RCDGP1U28XD	IC, REMOTE SENSOR	[M]	D15	MTZJ9R1BTA	DIODE	[M] \triangle
13	RKQ0194-K	SIDE GRILL (R)	[M]	IC701	AN8837SBE1	IC, HEAD AMP	[M]	D16	RL1N4003N02	DIODE	[M]
14	RME0209	STAY SPRING	[M]	IC702	MN662741RPA	IC, DIGITAL LSI	[M]	D17	1SS291TA	DIODE	[M]
15	RMN0341	PCB HOLDER	[M]	IC703	AN8780NSBE2	IC	[M]	D19	RL1N4003N02	DIODE	[M]
16	RMR0950-K	FFC HOLDER	[M]	IC801	BA4558FDXE2	IC	[M]	D21	RL1N4003N02	DIODE	[M] \triangle
17	RMR0961-Q	FFC COVER	[M]			TRANSISTORS		D22	RL1N4003N02	DIODE	[M] \triangle
18	RMX0115	MECHA SPACER A	[M]					D23	MTZJ9R1BTA	DIODE	[M] \triangle
19	RMX0116	MECHA SPACER B	[M]					D24	MTZJ9R1BTA	DIODE	[M] \triangle
20	RFKGLMC6EBK	FRONT PANEL ASS'Y	[M]	Q11	RVTDTA114YST	TRANSISTOR	[M]	D26	RL1N4003N02	DIODE	[M] \triangle
20-1	RGK1040A-Q	FL FILTER	[M]	Q12	RVTDTA114YST	TRANSISTOR	[M]	D27	RL1N4003N02	DIODE	[M] \triangle
21	RGL0414-Q	PRISM (L)	[M]	Q13	RVTDTA114YST	TRANSISTOR	[M]	D31	RL1N4003N02	DIODE	[M] \triangle
22	RGL0415-Q	PRISM (R)	[M]	Q15	2SD2136PQRTA	TRANSISTOR	[M] \triangle	D32	RL1N4003N02	DIODE	[M] \triangle
23	RFKHLMC6P-K	BACK PANEL ASS'Y	[M]	Q31	2SB1238QRTV2	TRANSISTOR	[M] \triangle	D33	MTZJ36ATA	DIODE	[M] \triangle
23-1	RGK1041-Q	REAR WINDOW	[M]	Q32	2SD1450STA	TRANSISTOR	[M]	D34	MTZJ7R5CTA	DIODE	[M] \triangle
24	RHD26023-K	SCREW	[M]	Q33	2SD1450STA	TRANSISTOR	[M]	D35	MA165TA	DIODE	[M]
25	RHD26028-T	SCREW	[M]	Q41	2SD1862QTV2	TRANSISTOR	[M] \triangle	D41	MTZJ6R8ATA	DIODE	[M] \triangle
26	RKG0009	MAGNET CATCH	[M]	Q461	RVTDTA114TST	TRANSISTOR	[M]	D42	RVD1SS133TA	DIODE	[M]
27	RKW0543-Q	WINDOW	[M]	Q501	2SB1320AQRTA	TRANSISTOR	[M]	D43	1SS291TA	DIODE	[M]
28	RMA0998	MECHA ANGLE	[M]	Q502	2SC3311AIQST	TRANSISTOR	[M]	D44	RL1N4003N02	DIODE	[M]
29	RGP0670-K	GRILL	[M]	Q521	PT4810F	PHOTO TRANSISTOR	[M]	D51	RVD1SS133TA	DIODE	[M] \triangle
30	RGU1649-K	POWER BUTTON	[M]	Q522	PT480F	PHOTO TRANSISTOR	[M]	D52	RVD1SS133TA	DIODE	[M] \triangle
31	RGU1650-K	MAIN BUTTON	[M]	Q531	PT480F	PHOTO TRANSISTOR	[M]	D53	MTZJ5R1BTA	DIODE	[M] \triangle
32	RGU1651-K	PROGRAM BUTTON	[M]	Q621	RVTDTA114YST	TRANSISTOR	[M]	D54	RVD1SS133TA	DIODE	[M]
33	RGU1653-K	12 KEY BUTTON	[M]	Q622	2SB1238QRTV2	TRANSISTOR	[M]	D461	MTZJ7R5CTA	DIODE	[M]
34	RMG0429-K	CUSHION RUBBER	[M]	Q623	2SB1238QRTV2	TRANSISTOR	[M]	D511	RSQGP1S53V	DIODE	[M]

Ref No.	Part No.	Part Name & Description	Remarks	Ref No.	Part No.	Part Name & Description	Remarks	Ref No.	Part No.	Part Name & Description	Remarks
D521	LN66S	DIODE	[M]	S627	EVQ21405R	SW, PAUSE	[M]	FC602	REZ1117	WIRE KIT	[M]
D522	GL480V	DIODE	[M]	S628	EVQ21405R	SW, SKIP/CURSOR <<	[M]	FC603	REZ1117	WIRE KIT	[M]
D523	BR3433S	LED	[M]	S629	EVQ21405R	SW, SKIP/CURSOR >>	[M]				
D531	GL480V	LED	[M]	S630	EVQ21405R	SW, PLAY	[M]			DISPLAY TUBE	
D601	MTZJ5R1BTA	DIODE	[M]	S631	EVQ21405R	SW, POWER	[M]				
D602	MTZJ5R1BTA	DIODE	[M]	S632	RSH1A91ZA-A	SW, CD	[M]	FL601	RSL0240-F	FL	[M]
D620	LNG995PFB0A1	DIODE	[M]	S701	RSH1A043-U	SW, REST	[M]				
D621	LNG995PFB0A1	DIODE	[M]							JACKS	
D630	MTZJ3R0BTA	DIODE	[M]			CONNECTORS					
D671	LN846RP-LS	DIODE	[M]	CN22	RJS1A6603T1	3P CONNECTOR	[M]	JK11	SJS9236-J	JK, AC INLET	[M] ⚠
D801	RVD1SS133TA	DIODE	[M]	CN23	RJS1A6606T1	TAPING CONNECTOR	[M]	JK801	RJH3201N	JK, RCA	[M]
D802	RVD1SS133TA	DIODE	[M]	CN401	RJS1A9414	FF CONNECTOR	[M]			PACKING MATERIALS	
		VARIABLE RESISTORS		CN402	RJS2A3336M	36P FFC CONNECTER	[M]				
				CN404	RJS1A6603T1	3P CONNECTOR	[M]	P1	RPG3929	PACKING CASE	[M]E
VR501	EVMLGGA00B14	V.R	[M]	CN501	RJS2A3332	36P CONNECTOR	[M]	P1	RPG3930	PACKING CASE	[M]E B EG
				CN502	RJS1A6223-1	23P CONNECTOR	[M]	P2	RPN1009	POLYFOAM	[M]
		SWITCHES		CN503	RJT057W007-1	7P CONNECTOR	[M]	P3	RPF0012	MIRAMAT BAG	[M]
				CN504	RJS7T4ZA	7P CONNECTOR	[M]			ACCESSORIES	
S501	RSP1A017-A	SW, MLOCK	[M]	CN511	RJU057W007	7P SOCKET	[M]				
S502	RSH1A005	SW, CLAMP	[M]	CN521	RJS7T7ZA	7P CONNECTOR	[M]				
S503	RSH1A005	SW, FREE	[M]	CN531	RJS3T6ZA	3P CONNECTOR	[M]	A1	EUR645270	REMOCON TRANSMITTER	[M]
S601	EVQ21405R	SW, SINGLE	[M]	CN601	RJS1A9314	14P CONNECTOR	[M]	A1-1	UR64EC1987B	R/C BATTERY COVER	[M]
S602	EVQ21405R	SW, ID SCAN	[M]	CN602	SJS50882JQH	CONNECTOR	[M]	A2	RJA0019-2K	AC CORD (SF) ⚠	[M]E B E
S603	EVQ21405R	SW, RANDOM	[M]	CN603	SJT30845JQ	CONNECTOR	[M]	A2	RJA0053-1X	AC CORD (SF) ⚠	[M]E B
S604	EVQ21405R	SW, PROGRAM	[M]	CN701	RJS2A6016	16P FFC CONNECTOR	[M]	A3	RQT4453-E	O/I BOOK (EN/SP/SW)	[M]E
S605	EVQ21405R	SW, 1	[M]	CN702	RJS1A6723-1Q	23P FFC CONNCECTOR	[M]	A3	RQT4454-R	O/I BOOK (RU/CZ/PO)	[M]E
S606	EVQ21405R	SW, 2	[M]			COILS & TRANSFORMERS		A3	RQT4455-D	O/I BOOK (GE/IT/FR)	[M]E G
S607	EVQ21405R	SW, 3	[M]					A3	RQT4456-H	O/I BOOK (DU/DA)	[M]E G
S608	EVQ21405R	SW, 4	[M]					A3	RQT4457-B	O/I BOOK (EN)	[M]E B
S609	EVQ21405R	SW, 5	[M]	L11	SLQX400-D	RADIO FREQ COIL	[M] ⚠	A4	RJL2P004B08	STEREO CONNECTOR CAB	[M]
S610	EVQ21405R	SW, 6	[M]	L12	SLQX400-D	RADIO FREQ COIL	[M] ⚠				
S611	EVQ21405R	SW, 7	[M]	L701	RLBN102V-Y	CHIP INDUCTOR	[M]				
S612	EVQ21405R	SW, 8	[M]	L702	RLBN102V-Y	CHIP INDUCTOR	[M]				
S613	EVQ21405R	SW, 9	[M]	PT11	RTP1K4B027-X	POWER TRANSFORMER	[M] ⚠				
S614	EVQ21405R	SW, DISC CAPS	[M]								
S615	EVQ21405R	SW, 0	[M]			OSCILLATORS					
S616	EVQ21405R	SW, >= 10	[M]	X401	RSXY4M91M01T	CERAMIC OSCILLATOR	[M]				
S617	EVQ21405R	SW, TEXT EDIT	[M]	X601	RSXY4M91M01T	CERAMIC OSCILLATOR	[M]				
S618	EVQ21405R	SW, TEXT MODE	[M]	X701	RSXB16M9J02T	CRYSTAL OSCILLATOR	[M]				
S619	EVQ21405R	SW, DOWN	[M]								
S620	EVQ21405R	SW, UP	[M]			WIRE CONNECTORS					
S621	EVQ21405R	SW, ENTER	[M]								
S622	EVQ21405R	SW, DISC SKIP (-)	[M]	FC11	REZ0899	3P WIRE KIT	[M]				
S623	EVQ21405R	SW, DISC SKIP (+)	[M]	FC12	REZ0898	6P WIRE KIT	[M]				
S624	EVQ21405R	SW, SEARCH CHAPTR <<	[M]	FC601	REZ0831	PIN CONNECTOR	[M]				
S625	EVQ21405R	SW, SEARCH CHAPTR >>	[M]	FC601	REZ1115	WIRE KIT	[M]				
S626	EVQ21405R	SW, STOP	[M]								

Resistors & Capacitors

Notes : * Important safety notice:

Components identified by \triangle mark have special characteristics important for safety.

Furthermore, special parts which have purposes of fire-retardant (resistors), high-quality sound (capacitors), low-noise (resistors), etc. are used. When replacing any of components, be sure to use only manufacturer's specified parts shown in the parts list.

* Capacitor values are in microfarad (μ F) unless specified otherwise, P=Pico-farads (pF) F=Farads (F)

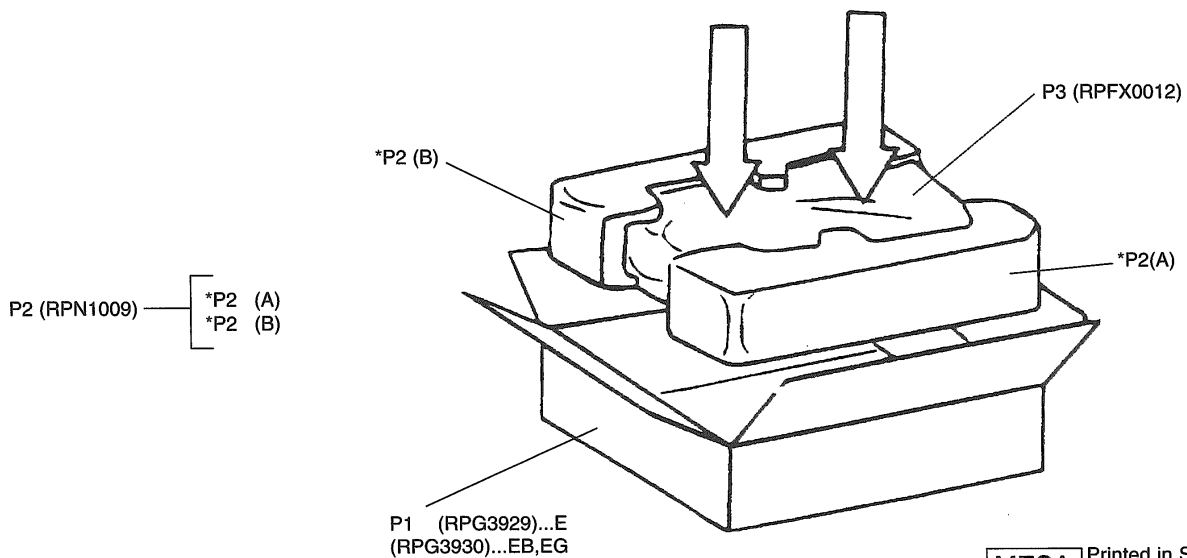
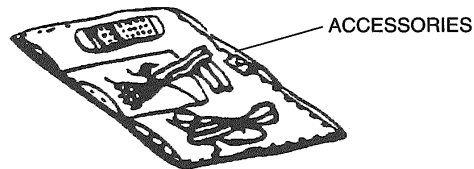
* Resistors values are in ohms, unless specified otherwise, 1k=1,000(OHM), 1M=1,000k(OHM)

Ref No.	Part No.	Values & Remarks	Ref No.	Part No.	Values & Remarks	Ref No.	Part No.	Values & Remarks	Ref No.	Part No.	Values & Remarks
	RESISTORS		R502	ERDS2FJ103	10K 1/4W [M]	R711	ERJ6GEYJ154A	150K 1/10W [M]		CAPACITORS	
			R503	ERDS2FJ102	1K 1/4W [M]	R712	ERJ6GEYJ221A	220 1/10W [M]	C11	ECBT1E103ZF5	0.01 25V [M]
R11	ERDS2TJ181T	180 1/4W [M]	R601	ERDS2TJ472T	4.7K 1/4W [M]	R714	ERJ6GEYJ121A	120 1/10W [M]	C12	ECA1CM222EV \triangle	2200 16V [M]
R12	ERDS2TJ181T	180 1/4W [M]	R602	ERDS2TJ472T	4.7K 1/4W [M]	R715	ERJ6GEYJ122A	1.2K 1/10W [M]	C15	ECBT1H102KB5	1000P 50V [M]
R13	ERDS2TJ151T	150 1/4W [M]	R603	ERDS2TJ472T	4.7K 1/4W [M]	R717	ERJ6GEYJ102A	1K 1/10W [M]	C16	ECA1AM471B	470P 10V [M]
R14	ERDS2TJ151T	150 1/4W [M]	R604	ERDS2TJ472T	4.7K 1/4W [M]	R718	ERJ6GEYJ102A	1K 1/10W [M]	C17	ECEA0JKA101B	100 6.3V [M]
R15	ERDS2TJ151T	150 1/4W [M]	R605	ERDS2TJ472T	4.7K 1/4W [M]	R721	ERJ6GEYJ101A	100 1/10W [M]	C18	ECEA1HKA010B	1 50V [M]
R19	ERQ16NKR15E	0.15 1/6W [M]	R606	ERDS2TJ472T	4.7K 1/4W [M]	R722	ERJ6GEYJ563A	56K 1/10W [M]	C20	ECBT1H102KB5	1000P 50V [M]
R21	ERDS2TJ122T	1.2K 1/4W [M]	R607	ERDS2TJ472T	4.7K 1/4W [M]	R723	ERJ6GEYJ182A	1.8K 1/10W [M]	C21	RCA1VM101BT \triangle	100P 35V [M]
R22	ERDS2TJ122T	1.2K 1/4W [M]	R610	ERDS2TJ331T	330 1/4W [M]	R724	ERJ6GEYJ333A	33K 1/10W [M]	C22	RCA1VM101BT \triangle	100P 35V [M]
R31	ERDS2TJ822T	8.2K 1/4W [M]	R611	ERDS2TJ331T	330 1/4W [M]	R725	ERJ6GEYJ122A	1.2K 1/10W [M]	C23	ECEA1EM471B	470 25V [M]
R32	ERDS2TJ223T	22K 1/4W [M]	R612	ERDS2TJ100T	10 1/4W [M]	R726	ERJ6GEYJ473A	47K 1/10W [M]	C24	ECEA1EM471B	470 25V [M]
R33	ERDS2TJ223T	22K 1/4W [M]	R613	ERDS2TJ100T	10 1/4W [M]	R727	ERJ6GEYJ682A	6.8K 1/10W [M]	C30	ECBT1E103ZF5	0.01 25V [M]
R36	ERDS2TJ102T	1K 1/4W [M]	R614	ERDS2TJ100T	10 1/4W [M]	R728	ERJ6GEYJ682A	6.8K 1/10W [M]	C31	ECEA1JM470B	47 63V [M]
R41	ERDS2TJ221T	220 1/4W [M]	R615	ERDS2TJ100T	10 1/4W [M]	R729	ERJ6GEYJ562A	5.6K 1/10W [M]	C32	ECEA1JM470B	47 63V [M]
R43	ERD2FCVJ6R8T	6.8 1/4W [M]	R616	ERDS2TJ100T	10 1/4W [M]	R731	ERJ6GEYJ822A	8.2K 1/10W [M]	C33	ECBT1H102KB5	1000P 50V [M]
R45	ERDS2TJ221T	220 1/4W [M]	R617	ERDS2TJ100T	10 1/4W [M]	R735	ERJ6GEYJ101A	100 1/10W [M]	C41	ECBT1H102KB5	1000P 50V [M]
R46	ERDS2TJ221T	220 1/4W [M]	R618	ERDS2TJ100T	10 1/4W [M]	R736	ERJ6GEYJ101A	100 1/10W [M]	C42	ECEA0JKA101B	100 6.3V [M]
R51	ERDS2TJ122T	1.2K 1/4W [M]	R621	ERDS2TJ332T	3.3K 1/4W [M]	R744	ERJ6GEYJ104A	100K 1/10W [M]	C43	ECA0JM102B	1000 6.3V [M]
R52	ERDS2TJ122T	1.2K 1/4W [M]	R622	ERDS2TJ151T	150 1/4W [M]	R745	ERJ6GEYJ155A	1.5M 1/10W [M]	C44	ECEA1HKA010B	1 50V [M]
R401	ERDS2TJ103T	10K 1/4W [M]	R623	ERDS2TJ151T	150 1/4W [M]	R748	ERJ6GEYJ182A	1.8K 1/10W [M]	C401	ECBT1C103NS5	0.01 16V [M]
R402	ERDS2TJ473T	47K 1/4W [M]	R624	ERDS2TJ100T	10 1/4W [M]	R749	ERJ6GEYJ682A	6.8K 1/10W [M]	C402	ECEA0JKA101B	100 6.3V [M]
R403	ERDS2TJ472T	4.7K 1/4W [M]	R625	ERDS2TJ100T	10 1/4W [M]	R752	ERJ6GEYJ220A	22 1/8W [M]	C403	ECBT1H221KB5	220P 50V [M]
R404	ERDS2TJ472T	4.7K 1/4W [M]	R631	ERDS2TJ103T	10K 1/4W [M]	R803	ERDS2TJ224T	220K 1/4W [M]	C404	ECBT1H221KB5	220P 50V [M]
R405	ERDS2TJ472T	4.7K 1/4W [M]	R632	ERDS2TJ102T	1K 1/4W [M]	R804	ERDS2TJ224T	220K 1/4W [M]	C405	ECBT1C103NS5	0.01 16V [M]
R406	ERDS2TJ472T	4.7K 1/4W [M]	R651	ERDS2TJ103T	10K 1/4W [M]	R805	ERDS2TJ822T	8.2K 1/4W [M]	C406	ECBT1H102KB5	1000P 50V [M]
R407	ERDS2TJ472T	4.7K 1/4W [M]	R652	ERDS2TJ471T	470 1/4W [M]	R806	ERDS2TJ822T	8.2K 1/4W [M]	C407	ECBT1C103NS5	0.01 16V [M]
R408	ERDS2TJ103T	10K 1/4W [M]	R653	ERDS2TJ103T	10K 1/4W [M]	R807	ERDS2TJ123T	12K 1/4W [M]	C408	ECBT1C103NS5	0.01 16V [M]
R409	ERDS2TJ103T	10K 1/4W [M]	R671	ERDS2TJ473T	47K 1/4W [M]	R808	ERDS2TJ123T	12K 1/4W [M]	C409	ECBT1C103NS5	0.01 16V [M]
R410	ERDS2TJ104T	100K 1/4W [M]	R672	ERDS2TJ221T	220 1/4W [M]	R809	ERDS2TJ333T	33K 1/4W [M]	C410	ECBT1C103NS5	0.01 16V [M]
R411	ERDS2TJ181T	180 1/4W [M]	R673	ERDS2TJ105T	1M 1/4W [M]	R810	ERDS2TJ333T	33K 1/4W [M]	C411	ECBT1C103NS5	0.01 16V [M]
R412	ERDS2TJ472T	4.7K 1/4W [M]	R674	ERDS2TJ105T	1M 1/4W [M]	R811	ERDS2TJ333T	33K 1/4W [M]	C412	ECBT1C103NS5	0.01 16V [M]
R413	ERDS2TJ181T	180 1/4W [M]	R701	ERJ6GEYJ4R7A	4.7 1/10W [M]	R812	ERDS2TJ333T	33K 1/4W [M]	C461	ECEA1AKA470B	47 10V [M]
R417	ERDS2TJ103T	10K 1/4W [M]	R702	ERJ6GEYJ822A	8.2K 1/10W [M]	R813	ERDS2TJ102T	1K 1/4W [M]	C601	ECBT1C103NS5	0.01 16V [M]
R420	ERDS2TJ472T	4.7K 1/4W [M]	R703	ERJ6GEYJ823A	82K 1/10W [M]	R814	ERDS2TJ102T	1K 1/4W [M]	C602	ECBT1H102KB5	1000P 50V [M]
R421	ERDS2TJ103T	10K 1/4W [M]	R704	ERJ6GEYJ102A	1K 1/10W [M]	R815	ERDS2TJ102T	1K 1/4W [M]	C603	ECBT1C103NS5	0.01 16V [M]
R461	ERDS2TJ121T	120 1/4W [M]	R705	ERJ6GEYJ124A	120K 1/10W [M]	R816	ERDS2TJ102T	1K 1/4W [M]	C604	ECBT1H391KB5	390P 50V [M]
R462	ERDS2TJ331T	330 1/4W [M]	R706	ERJ6GEYJ102A	1K 1/10W [M]	R817	ERDS2TJ473T	47K 1/4W [M]	C605	ECFR1E104ZF5	0.1 25V [M]
R463	ERDS2TJ821T	820 1/4W [M]	R707	ERJ6GEYJ474A	470K 1/10W [M]	R818	ERDS2TJ473T	47K 1/4W [M]	C606	ECEA0JKA101B	100 6.3V [M]
R464	ERDS2TJ821T	820 1/4W [M]	R708	ERJ6GEYJ154A	150K 1/10W [M]	R819	ERDS2TJ100T	10 1/4W [M]	C607	ECBT1C103NS5	0.01 16V [M]
R465	ERDS2TJ121T	120 1/4W [M]	R709	ERJ6GEYJ473A	47K 1/10W [M]	R820	ERDS2TJ100T	10 1/4W [M]	C608	ECBT1C103NS5	0.01 16V [M]
R501	ERDS2FJ103	10K 1/4W [M]	R710	ERJ6GEYJ103A	10K 1/10W [M]	R851	ERDS2TJ222T	2.2K 1/4W [M]			

Ref No.	Part No.	Values & Remarks	Ref No.	Part No.	Values & Remarks	Ref No.	Part No.	Values & Remarks	Ref No.	Part No.	Values & Remarks
C651	ECEA1HKA010B	1 50V [M]	C717	ECUZ1E104ZFN	0.1 25V [M]	C737	ECUZ1E104ZFN	0.1 25V [M]	C806	ECCR1H391J5	390P 50V [M]
C652	ECEA1EKA4R7B	4.7 25V [M]	C718	ECUZ1C224KBN	0.22 16V [M]	C738	ECUZ1E104MBN	0.1 25V [M]	C807	ECCR1H391J5	390P 50V [M]
C701	ECEA0JKA330I	33 6.3V [M]	C721	ECUZ1H100DCN	10P 50V [M]	C739	ECUZ1H102KBN	1000P 50V [M]	C808	ECCR1H391J5	390P 50V [M]
C702	ECUZ1E104MBN	0.1 25V [M]	C722	ECUZ1H100DCN	10P 50V [M]	C742	ECUZ1E273KBN	0.027 25V [M]	C809	ECEA0JKA470B	47 6.3V [M]
C703	ECEA0JKA101I	100 6.3V [M]	C723	ECEA1AKA221I	220 10V [M]	C743	ECUZ1E104ZFN	0.1 25V [M]	C810	ECEA0JKA470B	47 6.3V [M]
C704	ECUZ1E104MBN	0.1 25V [M]	C724	ECUZ1E104MBN	0.1 25V [M]	C744	ECUZ1E123KBN	0.012 25V [M]	C811	ECBT1H102KB5	1000P 50V [M]
C706	ECUZ1H272KBN	2700P 50V [M]	C725	ECUZ1H102KBN	1000P 50V [M]	C745	ECUZ1H102KBN	1000P 50V [M]	C812	ECBT1H102KB5	1000P 50V [M]
C707	ECUZ1E273KBN	0.027 25V [M]	C726	ECUZ1H102KBN	1000P 50V [M]	C747	ECUV1H221KBN	220P 50V [M]	C813	ECEA1AKA470B	47 10V [M]
C708	ECUZ1H392KBN	3900P 50V [M]	C727	ECA1HAK010XI	1 50V [M]	C749	ECUZ1H222KBN	2200P 50V [M]			
C709	ECUZ1E563KBN	0.056 25V [M]	C728	ECA1HAK010XI	1 50V [M]	C750	ECUZ1E104MBN	0.1 25V [M]		TEST JUMPER	
C710	ECUV1H151KCN	150P 50V [M]	C730	ECUZ1E104ZFN	0.1 25V [M]	C751	ECUZ1E104MBN	0.1 25V [M]			
C711	ECUZ1E104ZFN	0.1 25V [M]	C731	ECEA0JKA221I	220 6.3V [M]	C753	ECUZ1H471KBM	470P 50V [M]	TJ701	EYF8CU	TEST JUMPER [M]
C712	ECUZ1E104ZFN	0.1 25V [M]	C732	ECEA0JKA221I	220 6.3V [M]	C754	ECUZ1H471KBN	470P 50V [M]			
C713	ECUZ1E104MBN	0.1 25V [M]	C733	ECUZ1E104MBN	0.1 25V [M]	C762	ECUZ1H471KBN	470P 50V [M]			
C714	ECEA0JKA101I	100 6.3V [M]	C734	ECEA1AKA221I	220 10V [M]	C801	ECEA1AKA101B	100 10V [M]			
C715	ECUZ1H182KBN	1800P 50V [M]	C735	ECUZ1E104ZFN	0.1 25V [M]	C802	ECEA1AKA101B	100 10V [M]			
C716	ECUZ1H821KBN	820P 50V [M]	C736	ECUZ1E104ZFN	0.1 25V [M]	C805	ECCR1H391J5	390P 50V [M]			

ACCESSORIES

- A1 (EUR645270) : REMOTE CONTROL
- A2 (RJA0019-2K ... E,EG) : AC CORD
- A2 (RJA0053-1K ... EB) : AC CORD
- A3 (RQT4453-E ... E) : O/I BOOK
- A3 (RQT4454-R ... E) : O/I BOOK
- A3 (RQT4455-D ... EG) : O/I BOOK
- A3 (RQT4456-H ... EG) : O/I BOOK
- A3 (RQT4457-B ... EB) : O/I BOOK
- A4 (RJL2P004B08) : ST. CONNECTOR CABLE



MESA Printed in Singapore
G980608700P/K/O/J